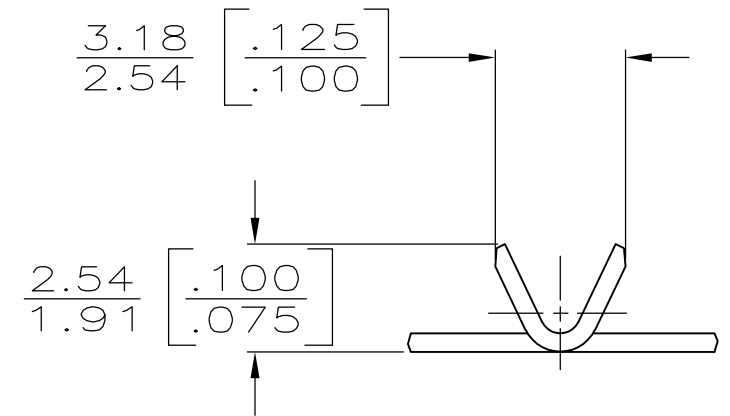
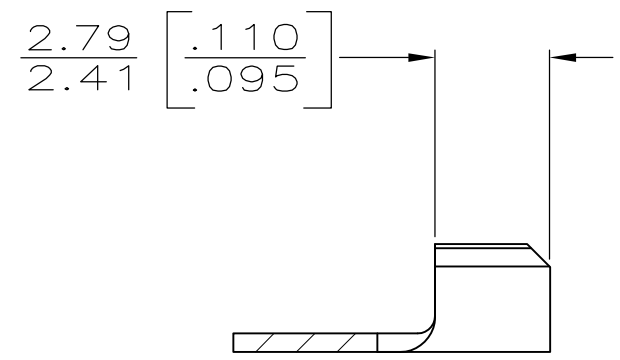
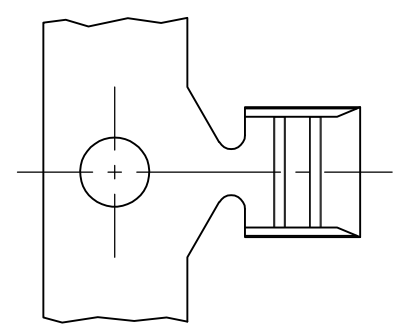


THIS DRAWING IS UNPUBLISHED. RELEASED FOR PUBLICATION
 © COPYRIGHT - By - ALL RIGHTS RESERVED.

LOC	DIST	REVISIONS					
AF	50	P	LTR	DESCRIPTION	DATE	DWN	APVD
		R1		REVISED PER ECO-11-004917	11MAR11	RK	HMR

- PRODUCT PROVIDED IN STRIP FORM ON REELS;
BREAKS MAY BE PRESENT
-
-
- WIRE SIZE IS 0.2-0.6mm sq.
[400 & 1300] CMA
CRIMP WIDTH:: 1.78 [.070] , F TYPE
CRIMP HEIGHT ±0.05 [.002] =(TOTAL CMA + 4700) / 112,100
FOR APPLICATOR INFO CALL, 1-800-722-1111
FOR PRODUCT INFO CALL: 1-800-522-6752
- WIRE RANGE FOR NEW APPLICATIONS: 400-1300 CMA
(WIRE RANGE APPROVED FOR APPLICATIONS IMPLEMENTED
PRIOR TO 2005: 400-1600 CMA).



	NONE	0.41[.016] STAINLESS STEEL	62759-5
OBSOLETE	TIN	0.41[.016] STEEL	62759-4
OBSOLETE	NICKEL	0.41[.016] CRS	62759-3
	TIN	.041[.016] BRASS	62759-2
	NONE	.041[.016] BRASS	62759-1
	FINISH	MATERIAL	P/N

THIS DRAWING IS A CONTROLLED DOCUMENT.		DWN DK SCHRUM 9/14/90	TE Connectivity		
DIMENSIONS: INCHES		CHK JR RUTH 9/24/90			NAME
		APVD R WEAVILL 9/24/90			
TOLERANCES UNLESS OTHERWISE SPECIFIED:		PRODUCT SPEC	SPLICE		
0 PLC ± -		APPLICATION SPEC	RESTRICTED TO		
1 PLC ± -		114-2088	SIZE	CAGE CODE	
2 PLC ± 0.38[.015]		WEIGHT -	A3	00779	
3 PLC ± -		CUSTOMER DRAWING	DRAWING NO C-62759		
4 PLC ± -			SCALE	SHEET	
ANGLES ± -			6:1	1 OF 1	
FINISH SEE TABLE			REV	R1	